



DOWEL PINS

Boneham Metal Products, Inc.

Inch and Metric

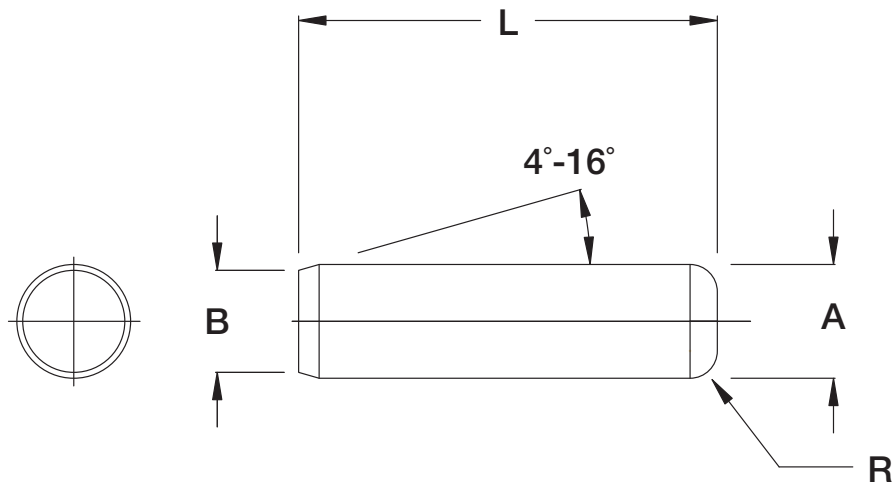
ASME B 18.8. 2-2000
ASME B 18.8. 100m-2000

327 NORTH 14TH STREET, KENILWORTH, N.J. 07033 908/272-1200
Email: sales@bonehamusa.com www.bonehamusa.com

Inch Dowel Pins

Standard ASME B 18.8. 2-2000

Standard Material SAE 5140



$$A = +.0001" / +.0003"$$

B	Nominal Dia A													
	1/16"	3/32"	1/8"	3/16"	1/4"	5/16"	3/8"	7/16"	1/2"	5/8"	3/4"	7/8"	1"	
R min	.008	.012	.016	.023	.031	.039	.047	.055	.063	.078	.094	.109	.125	
LENGTH L	3/16"													
	1/4"													
	5/16"													
	3/8"													
	1/2"													
	5/8"													
	3/4"													
	7/8"													
	1"													
	1 1/4"													
	1 1/2"													
	1 3/4"													
	2"													
	2 1/4"													
	2 1/2"													
	3"													
	3 1/2"													
	4"													
	4 1/2"													
	5"													
5 1/2"														
6"														

Additional lengths can be supplied to order.

Other materials to order

Stainless Steel
303, 304, 316, 416

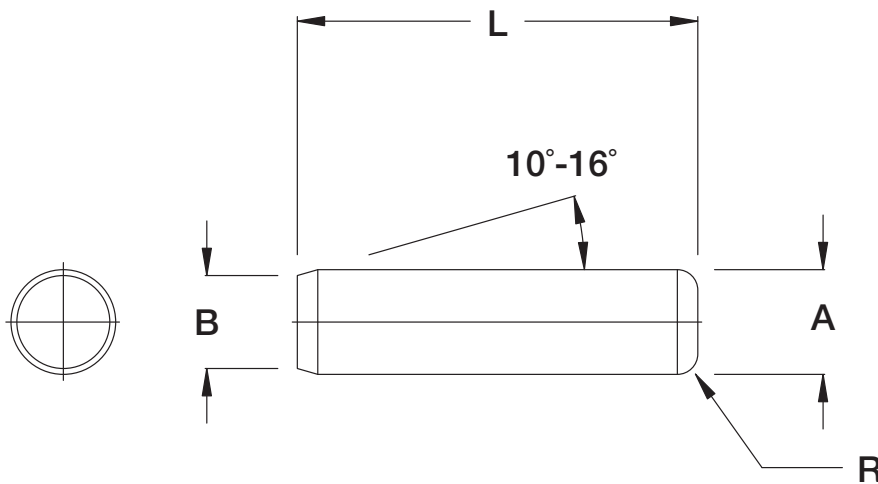
SAE 12L14 SAE 1035
SAE 1010 SAE 1045
SAE 1020 SAE 52100



Standard Material SAE 5140

Metric Dowel Pins

Standard ASME B 18.8. 100m-2000



Limits on Diam A

1.5 to 3mm + .003 / +.008mm

4mm to 6mm + .004 / +.009mm

8mm to 10mm + .006 / +.012mm

12mm to 16mm + .007 / +.013mm

20mm to 25mm + .008 / +.014mm

B	Nominal Dia A													
	1.5	2	2.5	3	4	5	6	8	10	12	16	20	25	
	1.4	1.9	2.4	2.9	3.9	4.9	5.8	7.8	9.8	11.8	15.8	19.8	24.8	
R min	0.2	0.2	0.3	0.3	0.4	0.4	0.4	0.5	0.6	0.6	0.8	0.8	1mm	
LENGTH L	6													
	8													
	10													
	12													
	16													
	20													
	25													
	30													
	35													
	40													
	45													
	50													
	60													
	70													
	80													
	90													
	100													
	110													
120														
130														
140														
150														

Additional lengths can be supplied to order.

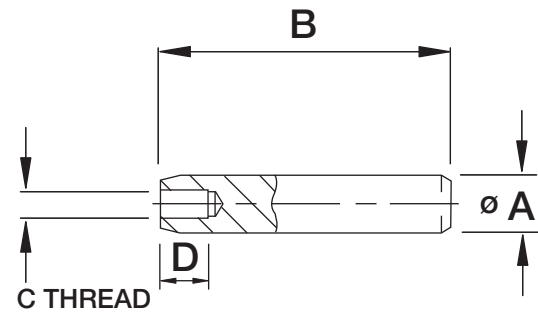
Other materials to order

Stainless Steel
303, 304, 316, 416

SAE 12L14 SAE 1035
SAE 1010 SAE 1045
SAE 1020 SAE 52100

Diam A	3/16"	1/4"	5/16"	3/8"	1/2"	5/8"	3/4"	1"
3/4"								
1"								
1 1/4"								
1 1/2"								
1 3/4"								
2"								
2 1/4"								
2 1/2"								
3"								
C Thread	4-40	8-32	10-32	10-32	1/4-20	5/16-18	5/16-18	5/16-18
D	1/4"	1/4"	1/4"	3/8"	1/2"	1/2"	1/2"	1/2"

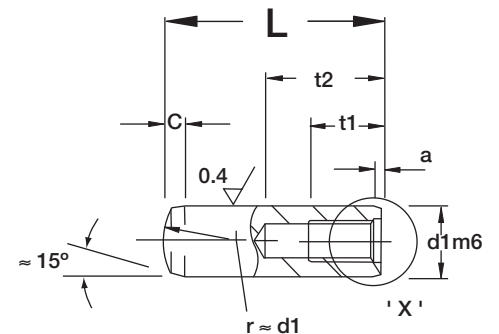
Diam A = + .0001" / + .0003"
hardened 60-63 Rc



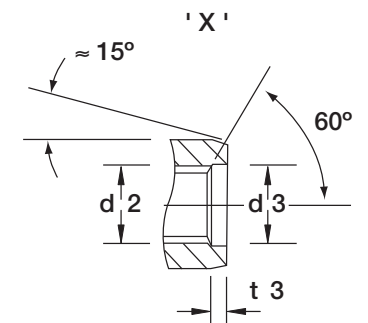
Supplied with or without air release flat.

d ¹	m6	5	6	8	10	12	16	20	25
a	≈	.6	0.8	1	1.2	1.6	2	2.5	3
c		2.0	2.1	2.6	3	3.8	4.6	6	6
d ₂		M3	M4	M5	M6	M6	M8	M10	M16
d ₃		3.3	4.3	5.3	6.4	6.4	8.4	10.5	17
t ₁		5	6	8	10	12	16	18	24
t ₂	min.	9	10	12	16	20	25	28	35
t ₃		.75	1	1.2	1.2	1.2	1.5	1.5	2
L									
nom.	min.	max.							
16	15.5	16.5							
18	17.5	18.5							
20	19.5	20.5							
22	21.5	22.5							
24	23.5	24.5							
25	24.5	25.5							
28	27.5	28.5							
30	29.5	30.5							
32	31.5	32.5							
35	34.5	35.5							
40	39.5	40.5							
45	44.5	45.5							
50	49.5	50.5							
55	54.25	55.75							
60	59.25	60.75							
65	64.25	65.75							
70	69.25	70.75							
75	74.25	75.75							
80	79.25	80.75							
85	84.25	85.75							
90	89.25	90.75							
95	94.25	95.75							
100	99.25	100.75							
120	119.25	120.75							

Diam d₁ = m6 Limit
hardened



Supplied with or without air release flat.



We can also supply

- ISO 8734 Type B Metric Plain Hardened
- ISO 8735 Type B Metric Tapped Hardened
- BS1804 Inch Plain and Tapped Hardened
- ISO 2338/A m6 Metric Plain 303 Stainless
- DIN 6325 Metric Plain Hardened
- DIN 7979 Metric Tapped and Flatted Hardened

Boneham Metal Products, Inc.

Suppliers of ASME Range of Inch and Metric Dowel Pins. Special Pins to Order