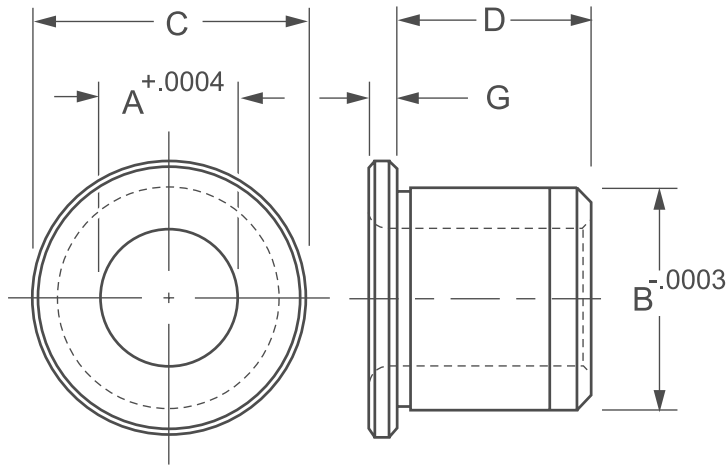


Location Pins

Liner for Bullet Nose Pins



KEY FEATURES

- / Precision ground location system
- / Case hardened
- / Black oxide finish
- / ID / OD Concentric to .0003" TIR
- / INCH and Metric sizes"

APPLICATION

Liners for bullet nose pins are the receiving bushing element of the location system. The bushing OD is the same size as the pins diameter and is concentric to the ID within .0003 TIR.

ORDERING INSTRUCTIONS

When ordering identify the ID required and identify the part number from the chart below. Example: BNPL5001

NOTES

If you cannot find what you are looking for, Boneham can manufacture special sizes and materials to specification.



INCH

Part No.	Dimensions				
	A +.0004	B -.0003	C	D	G
BNPL2501	0.2501	0.4078	9/16	7/16	1/16
BNPL3126	0.3126	0.5017	5/8	7/16	1/16
BNPL3751	0.3751	0.6267	3/4	7/16	1/16
BNPL5001	0.5001	0.7518	7/8	1/2	1/16
BNPL7502	0.7502	1.0018	1-1/8	1/2	1/8
BNPL10000	1.0002	1.3771	1-1/2	11/16	1/8

METRIC

Part No.	Dimensions				
	A +.0004	B -.0003	C	D	G
BNPLM600	6mm	10mm	13mm	8mm	2mm
BNPLM800	8mm	12mm	15mm	8mm	2mm
BNPLM1000	10mm	15mm	18mm	10mm	2mm
BNPLM1200	12mm	18mm	22mm	10mm	2mm