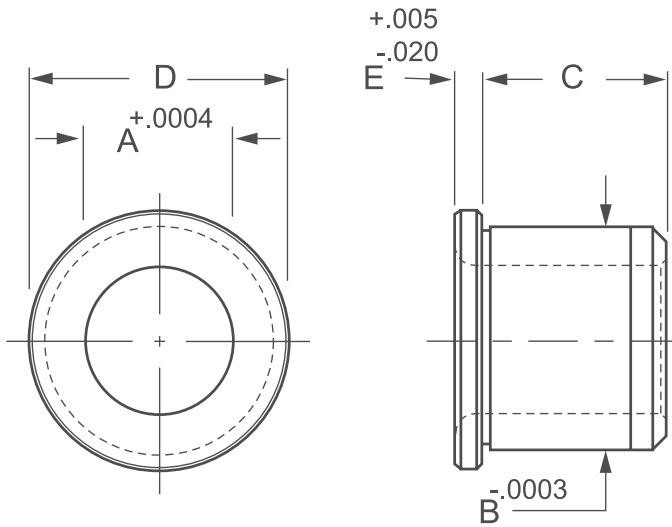


# Location Pins

## Liner for Bullet Nose Dowels



### KEY FEATURES

- / Precision ground location system
- / Case hardened
- / Black oxide finish
- / ID / OD Concentric to 0.0003" TIR
- / INCH and Metric sizes

### APPLICATION

Liners for Bullet Nose Dowels are the receiving bushing element of the location system. The bushings ID and OD are concentric to within .0003 TIR.

### ORDERING INSTRUCTIONS

When ordering identify the ID required and identify the part number from the chart below. Example: BNL3751

### NOTES

If you cannot find what you are looking for, Boneham can manufacture special sizes and materials to specification.



## INCH

Part No.	Dimensions				
	A .0000 / +.0004	B - .0003	C	D	E +.005 / -.020
BNL2501	0.2501	0.5017	3/8	0.625	.100
BNL3126	0.3126	0.5017	3/8	0.625	.100
BNL3751	0.3751	0.6267	1/2	0.750	.100
BNL5001	0.5001	0.7518	5/8	0.875	.100

## METRIC

Part No.	Dimensions				
	A .0000 / +.0004	B - .0003	C	D	E +.005 / -.020
BNLM600	6mm	10mm	7mm	13mm	3mm
BNLM800	8mm	12mm	7mm	15mm	3mm
BNLM1000	10mm	15mm	9mm	18mm	3mm
BNLM1200	12mm	18mm	12mm	22mm	3mm