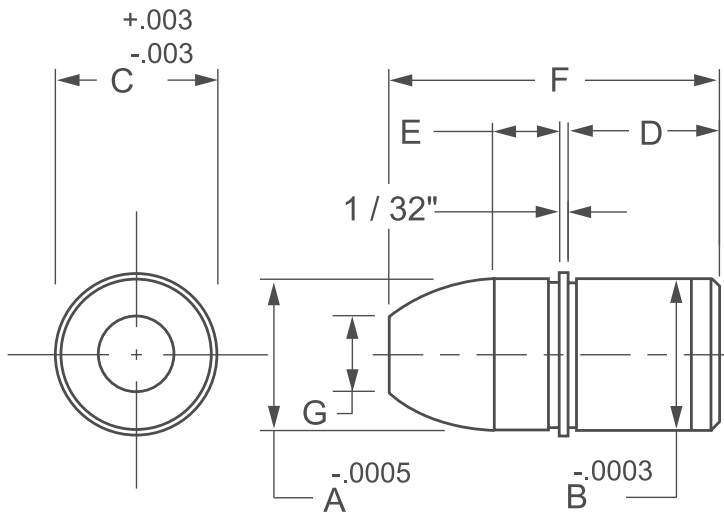


# Location Pins

## Bullet Nose Dowels



### KEY FEATURES

- / Precision ground location system
- / Case hardened
- / Black oxide finish
- / Concentric to 0.0005" TIR
- / INCH and Metric sizes

### APPLICATION

Bullet Nose Dowels BND are used in conjunction with a Bullet Nose Liner BNL to create a precision location system, aligning two work pieces with complete accuracy. The pin's head and body diameters are concentric to within .0005" TIR.

### ORDERING INSTRUCTIONS

When ordering identify the diameter required and identify the part number from the chart below. Example: BND2499

### NOTES

If you cannot find what you are looking for, Boneham can manufacture special sizes and materials to specification.



## INCH

| Part No. | Dimensions         |                    |               |      |      |       |      | Mating Liner Part No. |
|----------|--------------------|--------------------|---------------|------|------|-------|------|-----------------------|
|          | A<br>+.0000 -.0005 | B<br>+.0000 -.0003 | C<br>+/- .003 | D    | E    | F     | G    |                       |
| BND2499  | .2499              | .2516              | .280          | .500 | .125 | .907  | 1/8  | BNL2501               |
| BND3124  | .3124              | .3141              | .344          | .500 | .157 | .939  | 5/32 | BNL3126               |
| BND3749  | .3749              | .3766              | .407          | .500 | .187 | 1.032 | 3/16 | BNL3751               |
| BND4999  | .4999              | .5017              | .532          | .500 | .187 | 1.094 | 1/4  | BNL5001               |

## METRIC

| Part No. | Dimensions         |                    |               |      |     |      |      | Mating Liner Part No. |
|----------|--------------------|--------------------|---------------|------|-----|------|------|-----------------------|
|          | A<br>+.0000 -.0005 | B<br>+.0000 -.0003 | C<br>+/- .003 | D    | E   | F    | G    |                       |
| BNDM600  | 6mm                | 6mm                | 7mm           | 12mm | 3mm | 22mm | 1/8  | BNLM600               |
| BNDM800  | 8mm                | 8mm                | 9mm           | 12mm | 4mm | 23mm | 5/32 | BNLM800               |
| BNDM1000 | 10mm               | 10mm               | 11mm          | 12mm | 5mm | 25mm | 3/16 | BNLM1000              |
| BNDM1200 | 12mm               | 12mm               | 15mm          | 12mm | 5mm | 27mm | 1/4  | BNLM1200              |