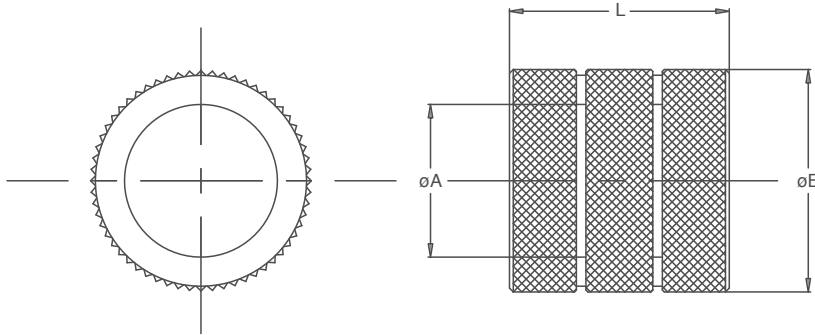


Diamond Groove Drill Bushings

DG Type 'Cast-in' Bushings



KEY FEATURES

- / Diameters from 0.0595 to 0.7656
- / ID Hardened to 60-65 HRC
- / ID radius improves drill entry
- / OD diamond knurling

APPLICATION

The 'DG Type' drill bushing is designed to be cast in the fixture or mold. Popular in

the resin and composite industries as the composite runs through the grooves to lock the bushing in place. The groove and the diamond knurling are highly resistant to axial and rotational movement.

ORDERING INSTRUCTIONS

When Ordering State: Quantity, Symbol, Bore Size. Example: 6, DG-20-5-1/8

If ordering specials, state ID, OD and Length.

NOTES

- / For general ordering information and technical data see pages 5-7
- / Price list codes detailed below; please see price list.



Bore Size Range A	Outside Diameter B		Prefix	Bushing Length L And Price Code Numbers L								
	Size	Tolerance		1/4	5/16	3/8	1/2	3/4	1	1-3/8	1-1/2	
0.0595 0.0709	13/64	0.2230 0.2130	DG	13-4 POA	13-5 POA	13-6 POA	13-8 POA					
0.0709 0.0995	13/64	0.2230 0.2130	DG	13-4 152	13-5 153	13-6 156	13-8 159					
0.0980 0.1181	1/4	0.2750 0.2600	DG	16-4 129	16-5 130	16-6 134	16-8 135	16-12 145				
0.1181 0.1406	1/4	0.2750 0.2600	DG	16-4 129	16-5 130	16-6 134	16-8 135	16-12 145				
0.1250 0.1935	5/16	0.3370 0.3220	DG	20-4 115	20-5 116	20-6 117	20-8 118	20-12 120	20-16 129			
0.1562 0.1969	13/32	0.4310 0.4160	DG	26-4 115	26-5 115	26-6 116	26-8 117	26-12 118	26-16 120			
0.1969 0.2362	13/32	0.4310 0.4160	DG	26-4 115	26-5 115	26-6 116	26-8 117	26-12 118	26-16 120			
0.2362 0.2570	13/32	0.4310 0.4160	DG	26-4 115	26-5 115	26-6 116	26-8 117	26-12 118	26-16 120			
0.1562 0.2362	1/2	0.5250 0.5100	DG		32-5 115	32-6 116	32-8 117	32-12 118	32-16 120			
0.2362 0.3160	1/2	0.5250 0.5100	DG		32-5 115	32-6 116	32-8 117	32-12 118	32-16 120			
0.3125 0.4375	5/8	0.6500 0.6350	DG			40-6 115	40-8 116	40-12 117	40-16 118	40-22 120		
0.3125 0.5000	3/4	0.7750 0.7600	DG			48-6 115	48-8 116	48-12 117	48-16 118	48-22 139		
0.5000 0.5312	3/4	0.7750 0.7600	DG			48-6 115	48-8 116	48-12 117	48-16 118	48-22 139		
0.5000 0.6562	7/8	0.9000 0.8850	DG			56-6 138	56-8 131	56-12 132	56-16 134	56-22 139		
0.5000 0.7656	1	1.0350 1.0100	DG				64-8 132	64-12 132	64-16 135	64-22 137	64-24 151	

* Price on Application, prices subject to change.