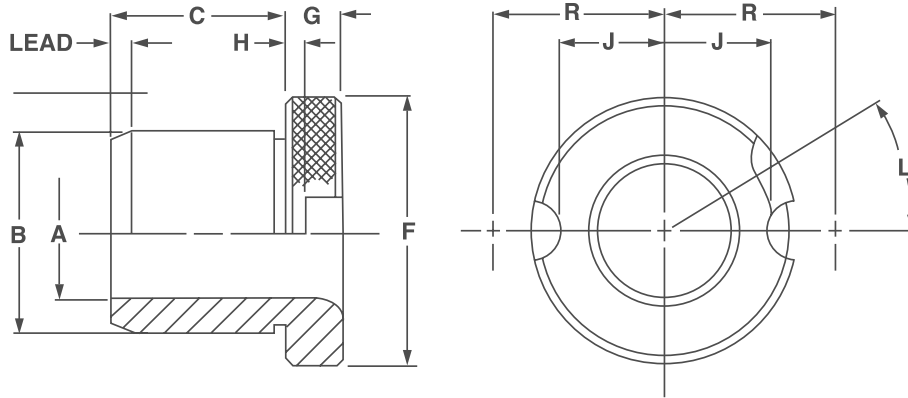


Slip-Fixed Renewable Combination Drill Bushings

SF Type ANSI Combination Bushings



KEY FEATURES

- / Diameters from 0.0156 to 1.8750
- / Hardened to 60-65 HRC
- / OD lead for easy installation
- / ID radius improves drill entry
- / OD ground to press fit size
- / Fixed lock screw mount
- / Slip locking recess

APPLICATION

The 'SF Type' drill bushing is designed to be used with a liner and lockscrew. The

removable fixed feature of the bush is normally used in high production work, where the bush can be easily and quickly replaced with a minimum loss of productivity. The removable slip feature of the bush is used when more than one operation is carried out; the bush is instantly removable after each operation.

ORDERING INSTRUCTIONS

When Ordering State: Quantity, Symbol, Bore Size and whether it's a Drill or Reamer. Example: SF-20-8-3/16

NOTES

- / For general ordering information and technical data see pages 5-7
- / For dimensional data please see page 35
- / Nitralloy Bushings quoted upon request
- / Price list codes detailed below; please see price list.



Bore Size A*	Outside Diameter B	C: Bushing Length under head and Price Code Number													Lock Screw No.
		Prefix	1/4"	5/16"	3/8"	1/2"	3/4"	1"	1 3/8"	1 3/4"	2 1/8"	2 1/2"	3"		
0.0135 to 0.0280	3/16	0.1875 0.1873	SF POA	-12-4 POA	-12-5 POA	-12-6 POA	-12-8 POA	-12-12 POA							N/A
0.0292 to 0.0591	3/16	0.1875 0.1873	SF POA	-12-4 POA	-12-5 POA	-12-6 POA	-12-8† POA	-12-12† POA							N/A
0.0595 to 0.0625	3/16	0.1875 0.1873	SF 222	-12-4 222	-12-5 224	-12-6 226	-12-8* 227	-12-12* 244							N/A
0.0135 to 0.0280	5/16	0.3125 0.3123	SF POA	-20-4 POA	-20-5 POA	-20-6 POA	-20-8 POA	-20-12 POA							1
0.0292 to 0.0591	5/16	0.3125 0.3123	SF POA	-20-4 POA	-20-5 POA	-20-6 POA	-20-8† POA	-20-12† POA							1
0.0595 to 0.0625	5/16	0.3125 0.3123	SF 224	-20-4 224	-20-5 226	-20-6 227	-20-8* 244	-20-12* 244							1
0.0635 to 0.0890	5/16	0.3125 0.3123	SF	-20-4 174	-20-5 180	-20-6 187	-20-8 194	-20-12* 212	-20-16*						1
.0935 to 0.1935	5/16	0.3125 0.3123	SF	-20-4 164	-20-5 167	-20-6 170	-20-8 190	-20-12 203	-20-16* 225	-20-22*					1
0.1405 to 0.1875	1/2	0.5000 0.4998	SF	-32-4 149	-32-5 152	-32-6 153	-32-8 161	-32-12 177	-32-16* 192	-32-22* 204	-32-28*				1
0.1890 to 0.3437	1/2	0.5000 0.4998	SF	-32-4 139	-32-5 142	-32-6 144	-32-8 152	-32-12 161	-32-16 187	-32-22* 195	-32-28* 304	-32.34*			1

Continued on next page



Bore Size A*	Outside Diameter B	C: Bushing Length under head and Price Code Number											Lock Screw No.			
		Prefix	1/4"	5/16"	3/8"	1/2"	3/4"	1"	1 3/8"	1 3/4"	2 1/8"	2 1/2"		3"		
0.2812 to 0.5625	3/4	0.7500	SF					-48-8	-48-12	-48-16	-48-22	-48-28	-48-34	-48-40*	-48-48*	1
0.4687 to 0.7812	1	1.0000 0.9998	SF					143	149	153	187	196	206	310	346	2
0.7187 to 1.0625	1-3/8	1.3750 1.3757	SF					-64-8	-64-12	-64-16	-64-22	-64-28	-64-34	-64-40	-64-48	2
0.9687 to 1.4062	1-3/4	1.7500 1.7497	SF					161	164	170	188	201	217	323	348	3
1.3437 to 1.8750	2-1/4	2.2500 2.2496	SF					-88-12	-88-16	-88-22	-88-28	-88-34	-88-40	-88-48		2
								204	214	224	248	294	333	355		3
								-112-12	-112-16	-112-22	-112-28	-112-34	-112-40	-112-48		3
								264	233	264	303	322	341	356		3
								-144-12	-144-16	-144-22	-144-28	-144-34	-144-40	-144-48		3
								328	314	328	334	345	352	360		3

- * Standard bore sizes available are per chart shown in rear of catalog – including LETTER, NUMBER and FRACTIONAL SIZES.
- MILLIMETER – from 2.3 mm to 10.5 mm only for selected list designated by on back cover.
- COUNTERBORED – with adequate bearing length – can also be supplied without counterbore upon request.
- † COUNTERBORED – 0.0390 to 0.0469 with adequate bearing length; can also be supplied without conterbore upon request.
- * Price on Application, prices subject to change.

Our Sales Service Representatives are available to assist you in defining the appropriate sizes of the bushings that you require.