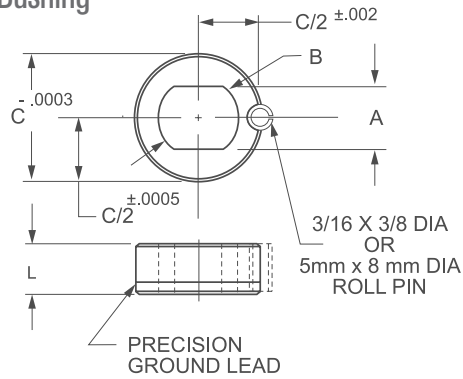


Slotted Locator Bushings

SL Type Press-Fit Locator Bushing



KEY FEATURES

- / INCH (SL) and Metric (SLM)
- / Heat treated to HRC 58-62
- / Precision ground
- / Black oxide finish

APPLICATION

Boneham's 'SL Type' Slotted Locator Bushings are designed for use with 'L' or 'T' Pins. Using a configuration with a high tolerance bushing, Slotted Location Bushings allow for relief in one direction during

alignment, whilst maintaining tight tolerances in the other direction.

ORDERING INSTRUCTIONS

When ordering identify the slot width required and select the appropriate part number. Example: SL-488-A

NOTES

To Install:

- / Drill and ream a 3/16 for the Inch roll pin or 5mm for the metric assembly

- / Then bore a press fit hole with an interference fit of 0.0003 to 0.0005
- / Press the roll pin and locator bushing in together until flush. The relationship between the roll pin and bushing provides accurate orientation.

Roll Pin Included: Inch: 3/16 x 3/8
Metric: 5mm x 8mm

- / Stainless can be manufactured upon request. Please talk to the technical sales team.



INCH

Part No.	A	B	C	L	Pin Dia.
SL-488-A	.1876 / .1882	0.312	0.7504	0.40	3/16
SL-488-B	.2501 / .2507	0.375	0.7504	0.40	1/4
SL-648-A	.2501 / .2507	0.375	1.0004	0.40	1/4
SL-648-B	.3126 / .3132	0.437	1.0004	0.40	5/16
SL-648-C	.3751 / .3757	0.500	1.0004	0.40	3/8
SL-648-D	.5001 / .5007	0.625	1.0004	0.40	1/2
SL-6416	.5001 / .5007	0.625	1.0004	0.90	1/2
SL-8016	.6251 / .6257	0.750	1.2504	0.90	5/8
SL-9616-A	.7501 / .7510	0.812	1.5004	1.00	3/4
SL-9616-B	.8751 / .8760	1.000	1.5004	1.00	7/8
SL-9616-C	1.0001 / 1.0010	1.062	1.5004	1.00	1

METRIC

Part No.	A	B	C	L	Pin Dia.
SLM6	6.00 / 6.03mm .2363 / .2373	9mm 0.354	20mm 0.787	9mm 0.354	6mm
SLM8	8.00 / 8.03mm .3151 / .3161	11mm 0.423	24mm 0.945	9mm 0.354	8mm
SLM10	10.00 / 10.30mm .3938 / .3948	13mm 0.512	24mm 0.945	9mm 0.354	10mm
SLM12	12.00 / 12.30mm .4725 / .4735	15mm 0.591	24mm 0.945	14mm 0.551	12mm
SLM16	16.00 / 16.30mm .6300 / .6310	18mm 0.709	30mm 1.181	12mm 0.472	16mm
SLM20	20.00 / 20.30mm .7875 / .7885	22mm 0.866	36mm 1.417	19mm 0.748	20mm
SLM25	25.00 / 25.30mm .9844 / .9854	27mm 1.063	40mm 1.575	19mm 0.748	25mm