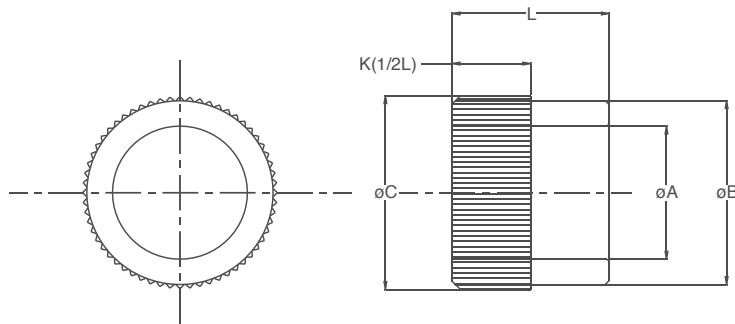


Serrata Press Fit Drill Bushings

SP Type Serrated Bushings



$$C = B + (0.014" \text{ to } 0.020")$$



KEY FEATURES

- / Diameters from 0.0595 to 0.7656
- / ID Hardened to 60-65 HRC
- / ID radius improves drill entry
- / Top OD serrated
- / Bottom ID ground

APPLICATION

The 'SP Type' drill bushing is similar to that of the 'P Type' bushing, they are designed

to press into soft materials, such as wood and soft metals. The top of the OD is serrated to prevent rotational movement and increased axial resistance in the jig. The rest of the bushing is finish ground to allow for accurate and easy location.

ORDERING INSTRUCTIONS

When Ordering State: Quantity, Symbol, Bore Size. Example: SP-5/16-3/4-1/2

If ordering specials, state ID, OD and Length.

NOTES

- / For general ordering information and technical data see pages 5-7
- / Price list codes detailed below; please see price list.



Bore Size Range A	Outside Diameter B		Prefix	Bushing Length L, Code Number & \$						
	Size	Tolerance		L						
				1/4	5/16	3/8	1/2	3/4	1	1-3/8
0.0595 0.0709	13/64	0.2031 0.2029	SP	13-4 POA	13-5 POA	13-6 POA	13-8 POA			
0.0709 0.0995	13/64	0.2031 0.2029	SP	13-4 167	13-5 187	13-6 190	13-8 191			
0.0980 0.1181	1/4	0.2500 0.2498	SP	16-4 146	16-5 152	16-6 157	16-8 161			
0.1181 0.1406	1/4	0.2500 0.2498	SP	16-4 146	16-5 152	16-6 157	16-8 161			
0.1250 0.1935	5/16	0.3125 0.3123	SP	20-4 137	20-5 137	20-6 139	20-8 143	20-12 150		
0.1562 0.1969	13/32	0.4062 0.4060	SP	26-4 127	26-5 128	26-6 131	26-8 134	26-12 139	26-16 152	
0.1969 0.2362	13/32	0.4062 0.4060	SP	26-4 127	26-5 128	26-6 131	26-8 134	26-12 139	26-16 152	
0.2362 0.2570	13/32	0.4062 0.4060	SP	26-4 127	26-5 128	26-6 131	26-8 134	26-12 139	26-16 152	
0.1562 0.2362	1/2	0.5000 0.4998	SP		32-5 128	32-6 131	32-8 134	32-12 139	32-16 152	
0.2362 0.3160	1/2	0.5000 0.4998	SP		32-5 128	32-6 131	32-8 134	32-12 139	32-16 152	
0.3125 0.4375	5/8	0.6250 0.6248	SP			40-6 129	40-8 129	40-12 134	40-16 137	
0.3125 0.5000	3/4	0.7500 0.7498	SP			48-6 134	48-8 134	48-12 137	48-16 143	
0.5000 0.5312	3/4	0.7500 0.7498	SP			48-6 134	48-8 134	48-12 137	48-16 143	
0.5000 0.6562	7/8	0.8750 0.8748	SP			56-6 154	56-8 146	56-12 150	56-16 152	
0.5000 0.7656	1	1.0000 0.9998	SP				64-8 150	64-12 150	64-16 153	64-22 159

*Price on Application, prices subject to change.