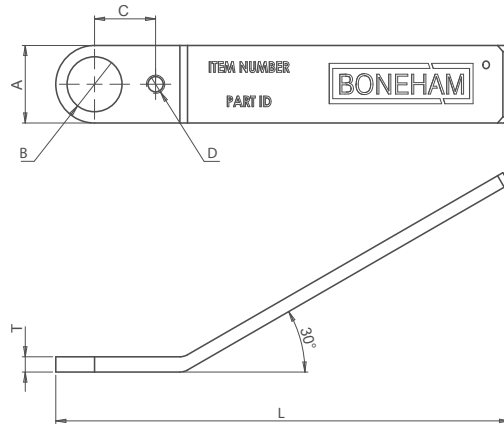


# Handle Bushing

## Spoon Handle Drill Bushing



### KEY FEATURES

- / Red Anodised Aluminium
- / Etched Part Code
- / Etched ID Range
- / Special Lock Screw Included

### APPLICATION

Boneham Handle Bushings are designed to provide an accurate drilling tool without the need for a rigid fixture. Handle bushings are lightweight, ergonomic and able to provide precise drilling in hard to reach applications.

For applications in fixtures where multi drilling or reaming operations are required, liner bushings can be placed in a complex

fixture and each handle can be equipped with a pilot and multi sizes of RD, RPS, SF and SFM bushings using standard renewable bushings and lock-screw assembly. Handle bushings are a must have solution for controlled environments. Kits of bushings can be associated with one handle to reduce error and prevent loss.

Boneham Handle Bushings use renewable SF and SFM bushings to reduce tooling costs across a wide range of tooling, including conventional jigs, handles and egg cup style fixtures.

### ORDERING INSTRUCTIONS

When ordering identify the OD size required based on the standard drill range.

#### Ordering example:

- / Handle Only: To Suit 10mm OD bushing would be HBM-10
- / With Drill Bushing: To Suit 10mm OD bushing with 6mm bore would be HBM-10 - RD10H 6mm



## INCH

Part No.	B	A	L	T	ANSI Bushing	Lock screw
HB-12-SL	3/16	5/8"	4.75"	0.1968"	SF-12	HBLS0
HB-12	3/16	1"	4.75"	0.1968"	SF-12	HBLS0
HB-20-SL	5/16	5/8"	4.75"	0.1968"	SF-20	HBLS1
HB-20	5/16	1"	4.75"	0.1968"	SF-20	HBLS1
HB-32	1/2	1"	4.75"	0.1968"	SF-32	HBLS1
HB-48	3/4	1"	4.75"	0.1968"	SF-48	HBLS1

## METRIC

Part No.	B	A	L	T	ANSI Bushing	Lock screw
HBM-8-SL	8mm	16mm	4.75"	5mm	SFM-8	HBMS5
HBM-8	8mm	25mm	4.75"	5mm	SFM-8	HBMS5
HBM-10-SL	10mm	16mm	4.75"	5mm	SFM-10	HBMS5
HBM-10	10mm	25mm	4.75"	5mm	SFM-10	HBMS5
HBM-12	12mm	25mm	4.75"	5mm	SFM-12	HBMS6
HBM-15	15mm	25mm	4.75"	5mm	SFM-15	HBMS6
HBM-18	18mm	25mm	4.75"	5mm	SFM-18	HBMS6