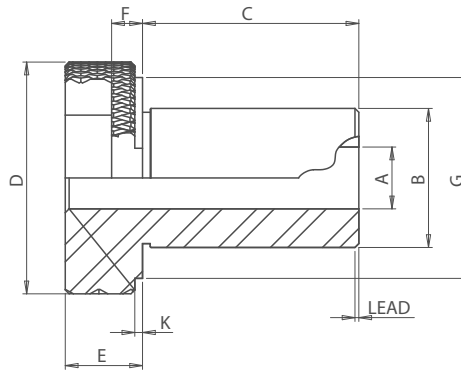
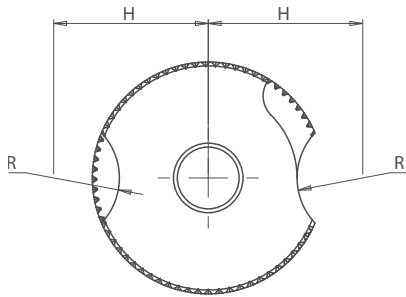


Pilot Bushing

Drill Bushings for Pilot Holes



KEY FEATURES

- / Standard OD Sizes
- / Special Pilot Hole Bores
- / Can be used with Handles, Egg Cups and with Liners

APPLICATION

Boneham Pilot Bushings are designed for guiding drills for pilot holes in drilling and reaming operations. They are traditionally used with liner bushings in a fixture, but they can also be used with handle bushings and egg cup stands. Standard OD's.

ORDERING INSTRUCTIONS

When ordering: Identify the OD of the bushing required. The OD will either suit the liner or the hand held fixture used in the application. For example: 12mm ID Liner Choose SFM122035

NOTES

Specials Manufactured by BONEHAM



INCH

Part Code	ID (A) F7	OD (B) h5	Length	D	E	H	F
SF321218	1/8"	1/2"	3/4"	51/64"	1/4"	5/8"	1/8"
SF4828516	5/16"	3/4"	1+3/4"	1-3/64"	1/4"	3/4"	1/8"

METRIC

Part Code	ID (A) F7	OD (B) h5	Length	D	E	H	F
SFM122035	3.5mm	12mm	20	22	8	16	4
SFM122045	4.5mm	12mm	20	22	8	16	4
SFM152865	6.5mm	15mm	28	26	8	18	4
SFM182880	8mm	18mm	28	30	8	20	4