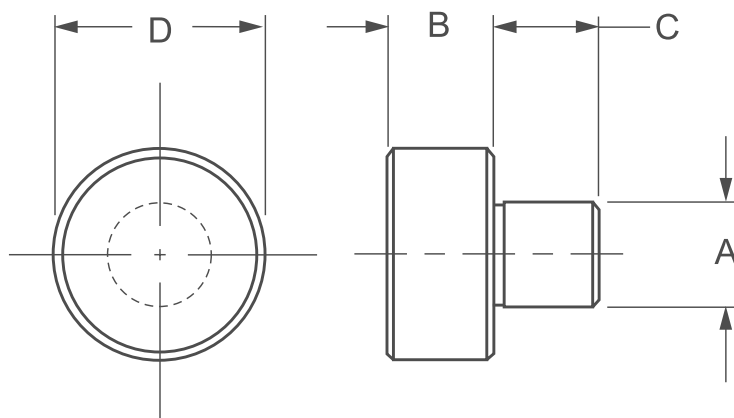


# Rest Buttons

## Round Rest Buttons



### KEY FEATURES

- / Pin diameters from 0.1885 to 0.7515
- / Finish ground head thickness +/- -0.001
- / Pin tolerance -.0005
- / Case hardened
- / Black oxide finish

### APPLICATION

Round Rest Buttons RB are a precise and accurate method of supporting, height setting or resting a work piece in a fixture. They are designed to press fit, with the head thickness also precision ground.

### ORDERING INSTRUCTIONS

When ordering identify the pin diameter and head depth required and select the appropriate part number. Example: RB28

### NOTES

- / Stainless and specials can be manufactured upon request. Please talk to the technical sales team.
- / Metric sizes upon request.



Part No.	Dimensions			
	A +.0000 / -.0005	B -.000 / +.001	C	D
RB02	0.1885	0.250	3/8	3/8
RB04	0.1885	0.375	3/8	3/8
RB06	0.1885	0.500	3/8	3/8
RB08	0.2510	0.250	1/2	1/2
RB10	0.2510	0.375	1/2	1/2
RB12	0.2510	0.500	1/2	1/2
RB14	0.3135	0.250	1/2	9/16
RB16	0.3135	0.375	1/2	9/16
RB18	0.3135	0.500	1/2	9/16
RB20	0.3760	0.250	5/8	5/8
RB22	0.3760	0.375	5/8	5/8
RB24	0.3760	0.500	5/8	5/8
RB26	0.3760	0.625	5/8	5/8
RB28	0.3760	0.750	5/8	5/8
RB30	0.5010	0.375	5/8	7/8
RB32	0.5010	0.500	5/8	7/8
RB34	0.5010	0.625	5/8	7/8
RB36	0.5010	0.750	5/8	7/8
RB38	0.6260	0.375	3/4	1
RB40	0.6260	0.500	3/4	1
RB42	0.6260	0.625	3/4	1
RB44	0.6260	0.750	3/4	1
RB46	0.7515	0.500	7/8	1-1/4
RB48	0.7515	0.625	7/8	1-1/4