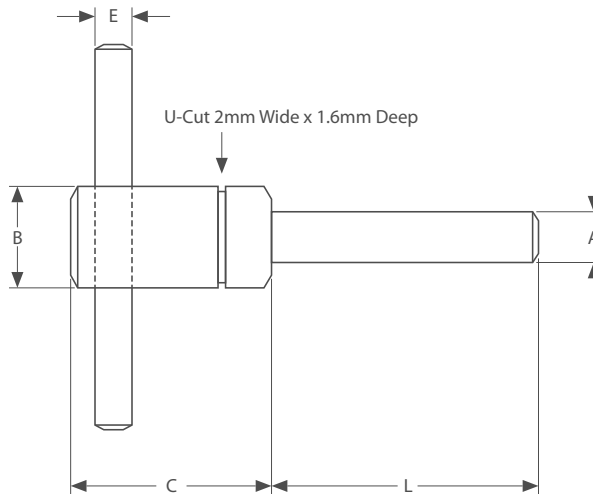


Quick removing “T-Bar” Location Pins

Metric and Imperial Jig Pins



APPLICATION

T-Bar Location Pins, or Jig Pins, are a removable precision ground location pin which is designed to accurately align holes in sectional jigs. The ground finish pin can be used in conjunction with Boneham's standard liner bushings pressed into the jig. Quick removal is assisted thanks to the featured shoulder of the pin which allows a raised handle and a slide pin which can be

tapped into an 'L-shaped' pin if necessary. In both metric and imperial and with various lengths, the T-Bar pins can be used in various applications of alignment and location.

TIP

Use with BONEHAM bushings for accurate alignment in jigs.

MATERIAL

Body: Mild Steel
Pin: Case Hardened and Ground
Available in Stainless Steel



INCH

Part Reference	Pin Diameter A		Pin Length	Body		T-Bar	
	Nominal	Tolerance		Diameter	Length	Length	Diameter
			B	C	D	E	
RLP-1AS	3/16	-0.00015" -0.00045"	2"	3/8	1+1/4	1+3/4	3/16
RLP-2AS	1/4	-0.0002" -0.0006"	2"	1/2	1+1/2	2+1/2	3/16
RLP-2BS	5/16	-0.0002" -0.0006"	2"	1/2	1+1/2	2+1/2	3/16
RLP-3AS RLP-3AM	3/8	-0.0002" -0.0006"	2" 3"	5/8	1+1/2	2+3/4	1/4
RLP-4AS RLP-4AL	1/2	-0.0002" -0.0006"	2" 4"	3/4	1+3/4	2+3/4	1/4

Continued on next page

Quick removing “T-Bar” Location Pins

METRIC

Part Reference	Pin Diameter A		Pin	Body			T-Bar	
	Nominal	Tolerance	Length	Diameter	Length	Length	Diameter	
			L	B	C	D	E	
MRLP-1AS MRLP-1AM	5	-0.004mm	25	3/8	1+1/4	1+3/4	3/16	
		-0.012mm	50					
MRLP-2AS MRLP-2AM	6	-0.004mm	25	1/2	1+1/2	2+1/2	3/16	
		-0.012mm	50					
MRLP-2BS MRLP-2BM	7	-0.005mm	25	1/2	1+1/2	2+1/2	3/16	
		-0.014mm	50					
MRLP-2CS MRLP-2CM	8	-0.005mm	25	1/2	1+1/2	2+1/2	3/16	
		-0.014mm	50					
MRLP-3AM MRLP-3AL	9	-0.005mm	50	5/8	1+1/2	2+3/4	1/4	
		-0.014mm	75					
MRLP-3BM MRLP-3BL	10	-0.005mm	50	5/8	1+1/2	2+3/4	1/4	
		-0.014mm	75					
MRLP-4AM MRLP-4AL	12	-0.005mm	50	3/4	1+3/4	2+3/4	1/4	
		-0.014mm	75					